

# GRYPHON

SPARE PARTS CATALOG - USA

**Published by:**

**CPI | Crane Payment Innovations  
3222 Phoenixville Pike, Suite 200  
Malvern, PA 19355  
USA**

**CPI® Gryphon – Coin Mech – Spare Parts Catalog**

**© 2019 CPI. All rights reserved**

**CPI, Gryphon, are trademarks of Crane Payment Innovations, Inc.**

**Except as permitted under the relevant local legislation, no part of this publication may be copied, transmitted, transcribed or distributed in any form or by any means, or stored in a database or retrieval system, or translated into any language (natural or computer) without the prior written permission of Crane Payment Innovation (CPI).**

**Crane Payment Innovations reserves the right to change the product specifications at any time. While every effort has been made to ensure that the information in this publication is accurate, CPI disclaims any liability for any direct or indirect losses (howsoever caused) arising out of use or reliance on this information.**

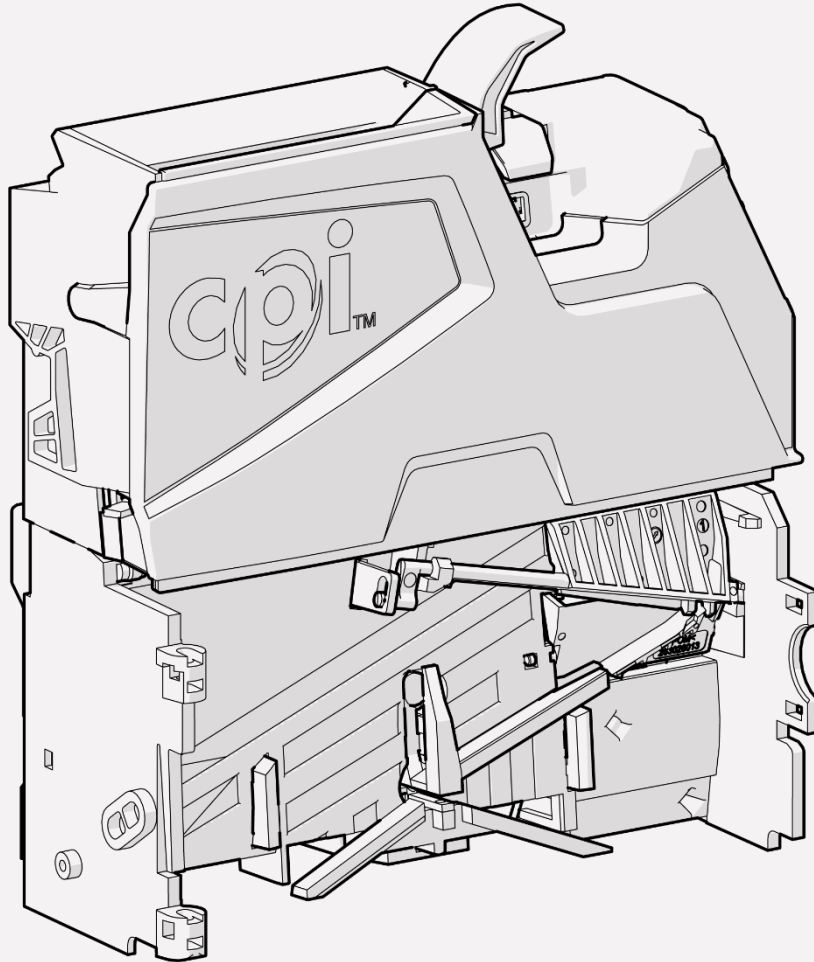
**This document does not necessarily imply product availability.**

**Information in this document may change without notice.**

## Table of Contents

<b>Top Module, Complete, Without MMI .....</b>	<b>4</b>
<b>Top Module, Individual Parts .....</b>	<b>5</b>
<b>Accoustic Module .....</b>	<b>6</b>
<b>Cassette .....</b>	<b>7</b>
<b>Tubes .....</b>	<b>8</b>
<b>Cassette Assemblies .....</b>	<b>8</b>
<b>Chasis .....</b>	<b>9</b>
<b>Dispenser.....</b>	<b>10</b>
<b>Fine print.....</b>	<b>11</b>
<i>Owner's Responsibility.....</i>	<i>11</i>
<i>CPI, Inc. Responsibility .....</i>	<i>11</i>
<i>Service .....</i>	<i>11</i>

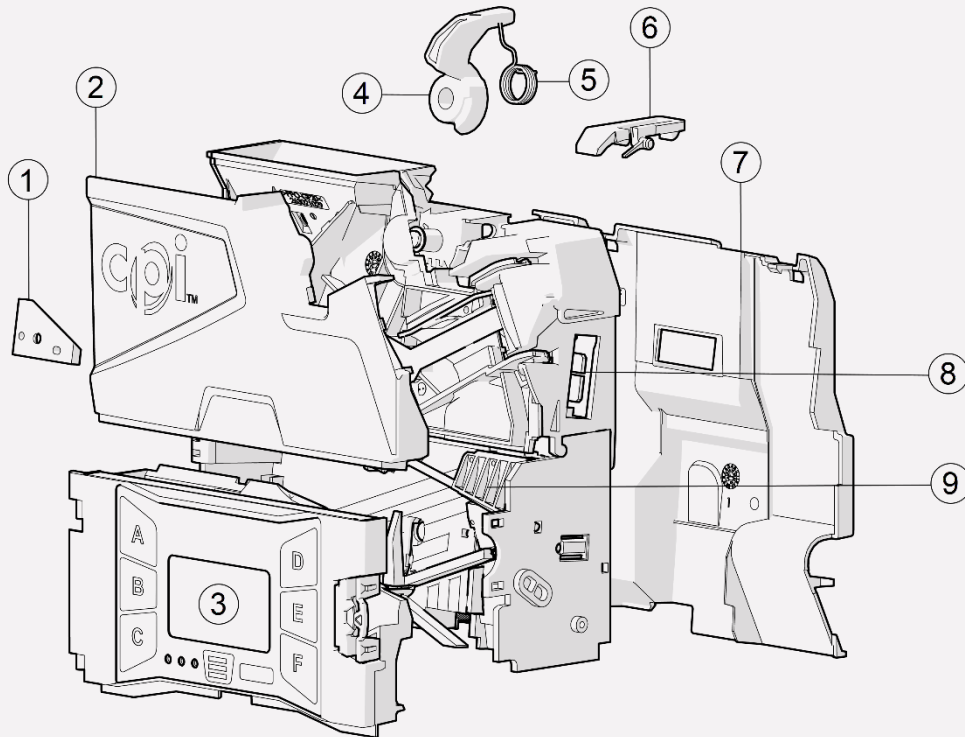
## TOP MODULE, COMPLETE, WITHOUT MMI



Item	Spare Part Number	Spare Part Description
1	263019037P	S Gxxx ACCEPTOR (TOP MODULE), NO MMI –US

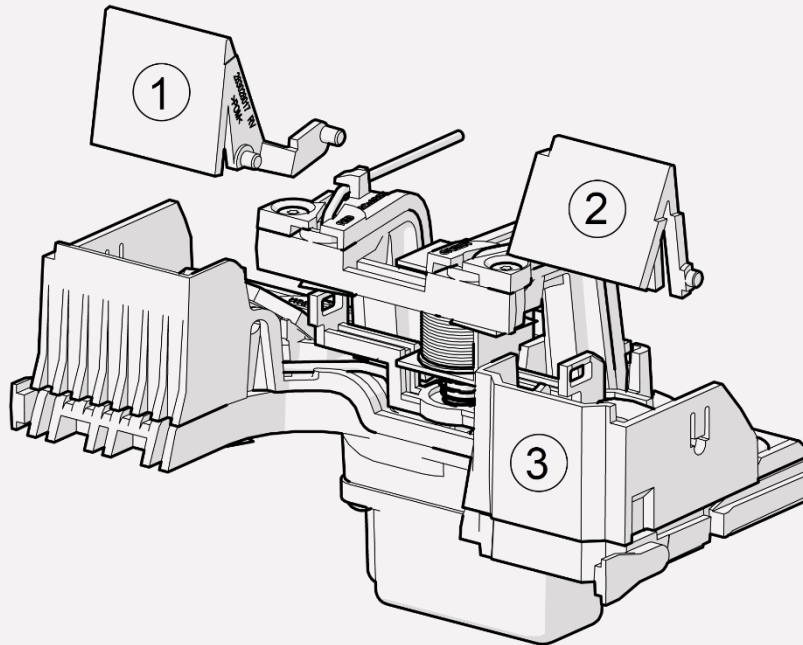
# GRYPHON – SPARE PARTS

## TOP MODULE, INDIVIDUAL PARTS



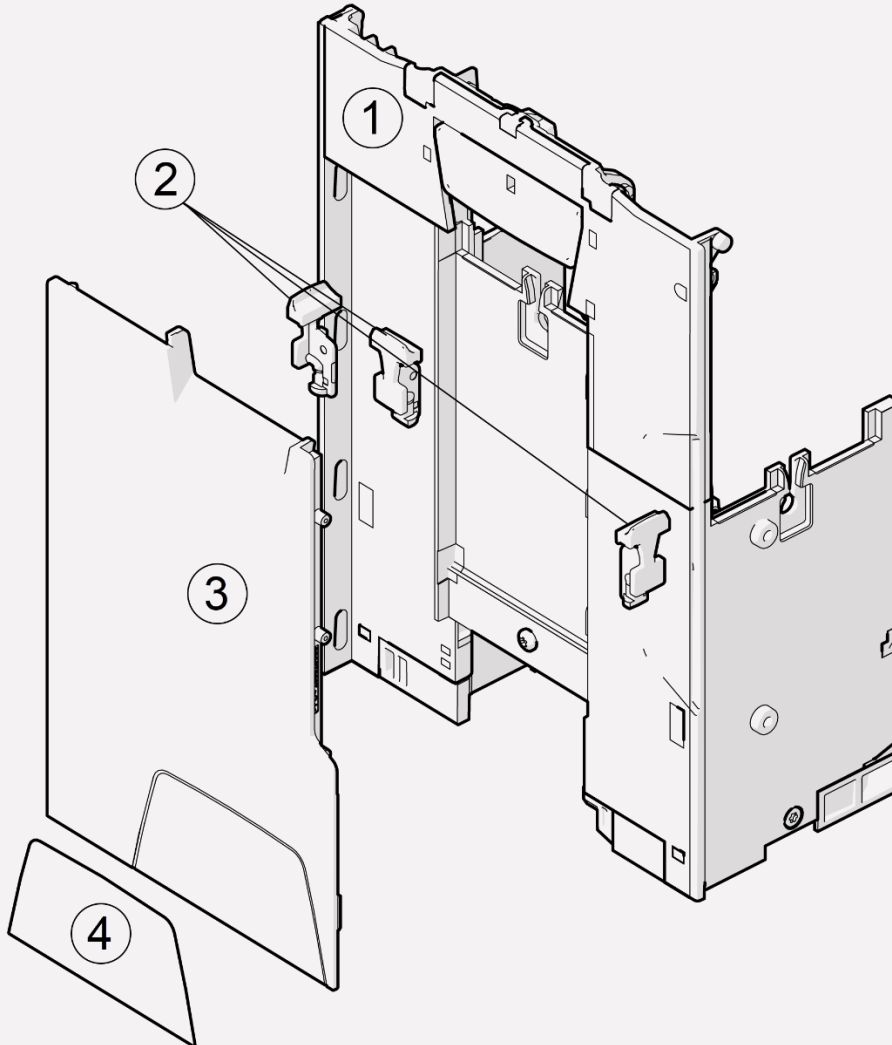
Item	Spare Part Number	Spare Part Description
1	263026035P	S Gxxx SNUBBER, RAMP PK10
2	263026030P	S Gxxx COVER, TOP MODULE, FRONT PK10
3	263018029P	S Gxxx MMI, LCD No IrDA – USA/CANADA
4	263022032P	S Gxxx LEVER, REJECT PK10
5	263032008P	S Gxxx SPRING, REJECT LEVER PK100
6	263024031P	S Gxxx LATCH, TOP MODULE PK100
7	263020033P	S Gxxx COVER, TOP MODULE, BACK PK10
8	111558767P	S Gxxx CONTROL BOARD, TOP MODULE
9	263020011P	S Gxxx SEPARATOR, ACCEPT GATE PK100
Not Pictured	263073012P	S Gxxx CABLE, TOP MODULE TO CONTROL BOARD
Not Pictured	263017011P	S Gxxx SEPARATOR, DOUBLE SOLENOID W/CABLE

## ACOUSTIC MODULE



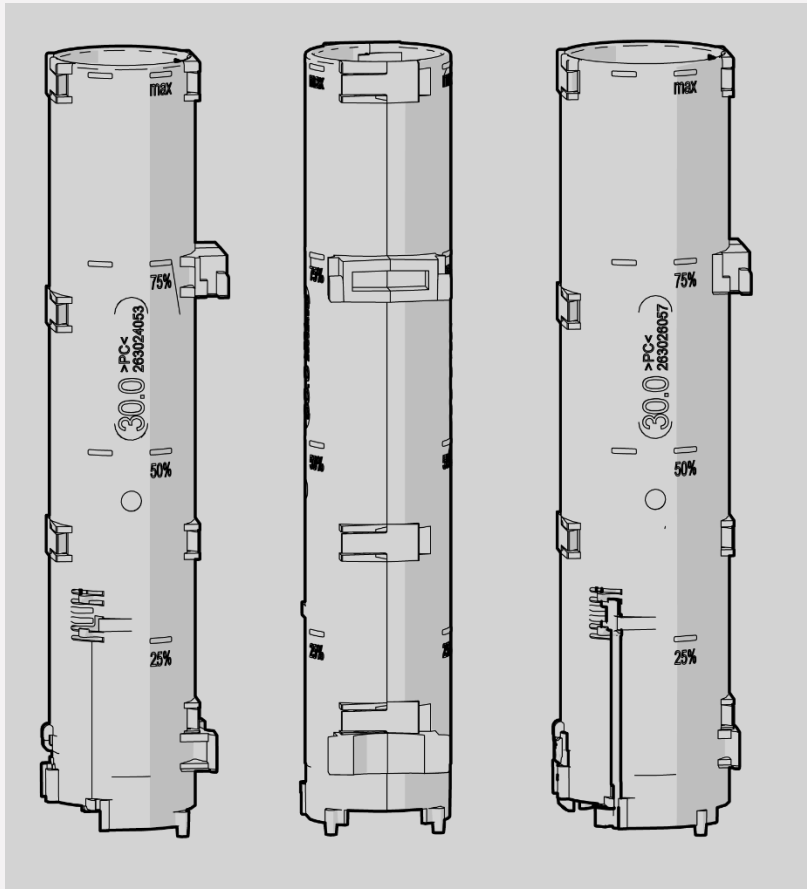
Item	Spare Part Number	Spare Part Description
1	263028017P	S Gxxx FLAP, A-B PK10
2	263020016P	S Gxxx FLAP, E-F PK10
3	263010001P	S Gxxx ACOUSTIC MODULE

## CASSETTE



Item	Spare Part Number	Spare Part Description
1	263013030P	S Gxxx CASSETTE ASSEMBLY
2	263023067P	S Gxxx LOCK, TUBES PK10
3	263020038P	S Gxxx COVER, CASSETTE, FRONT PK5
4	TBD	S Gxxx LABEL, CASSETTE, FRONT PK25

## TUBES



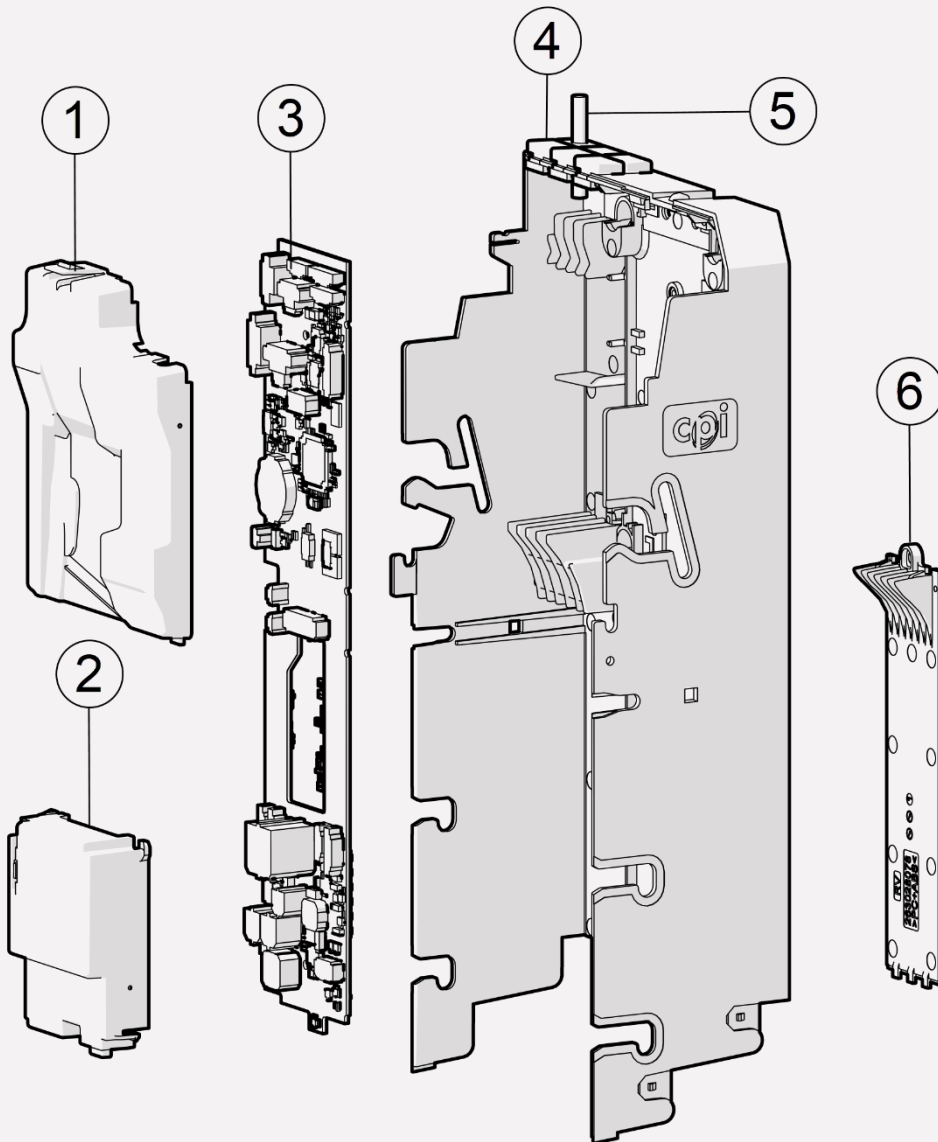
Spare Part Number	Catalog Description
263065001	S Gxxx TUBE ASSY, \$1 - USA/CANADA (pk10)
263063002	S Gxxx TUBE ASSY, 5¢ - USA/CANADA (pk10)
263061003	S Gxxx TUBE ASSY, 10¢ - USA/CANADA (pk10)
263069004	S Gxxx TUBE ASSY, 25¢ - USA/CANADA (pk10)

## CASSETTE ASSEMBLIES

Spare Part Number	Catalog Description
263067005	S Gxxx CASSETTE AAA(25¢,5¢,25¢,25¢,25¢,25¢) - US
263065006	S Gxxx CASSETTE AAB(25¢,5¢,25¢,10¢,25¢,25¢) - US
263063007	S Gxxx CASSETTE AAC(25¢,5¢,25¢,10¢,25¢,\$1) - US
263051008	S Gxxx CASSETTE AAD(\$1,5¢,25¢,10¢,25¢,\$1) - US
263062011	S Gxxx CASSETTE AAE(25¢,10¢,5¢,10¢,5¢,25¢) - US
263060012	S Gxxx CASSETTE AAF(\$1,5¢,25¢,10¢,5¢,25¢)-US

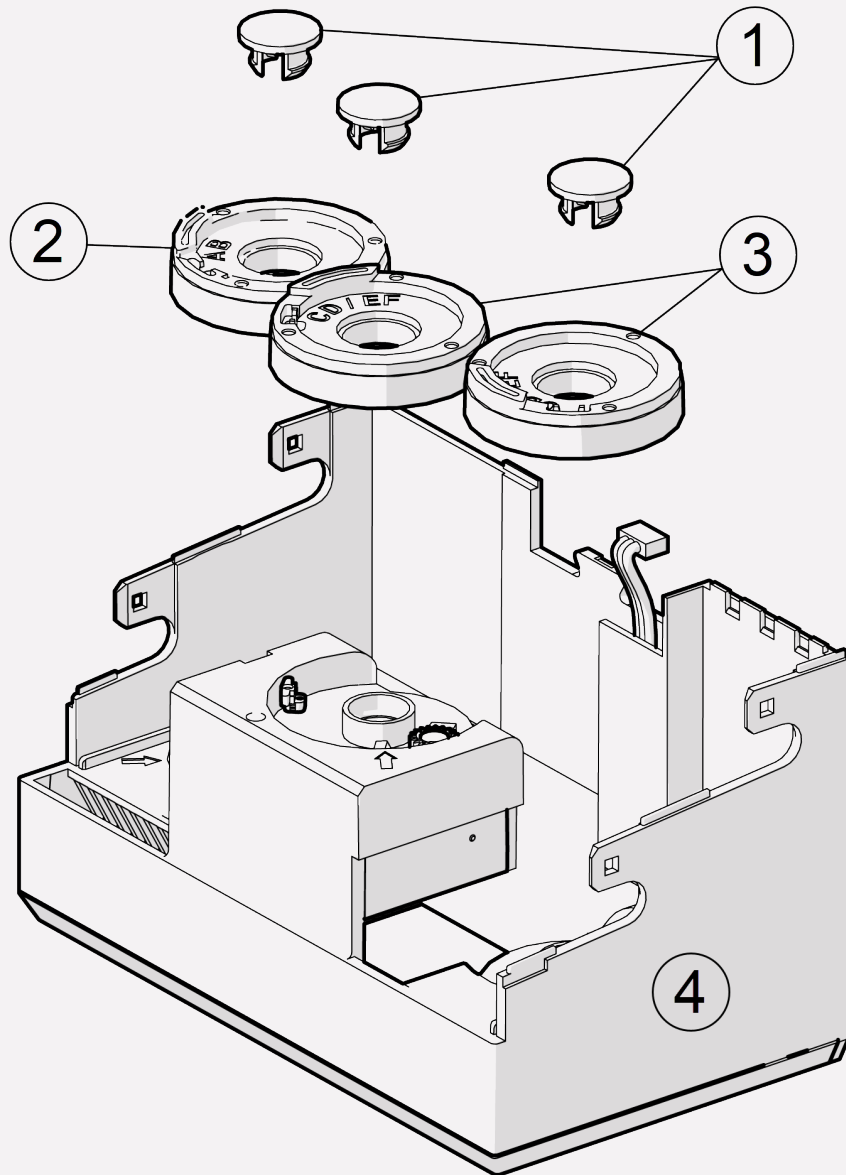


## CHASIS



Item	Spare Part Number	Spare Part Description
1	263022076P	S Gxxx COVER, CONTROL BOARD, UPPER PK10
2	263020077P	S Gxxx COVER, CONTROL BOARD, LOWER PK10
3	111550761P	S Gxxx CONTROL BOARD, MDB STANDARD
4	263026079P	S Gxxx PLUG, DUMMY, CHASSIS PK10
5a	263074008P	S Gxxx CABLE, INTERFACE, MDB PK5
5b	263072021P	S Gxxx CABLE, INTERFACE, CPI SYNQ PK5
6	263028078P	S Gxxx COVER, CHASSIS, BACK PK5

## DISPENSER



Item	Spare Part Number	Spare Part Description
1	263028073P	S Gxxx HOLDER, PAYOUT DISC PK10
2	263069009	S Gxxx PAYOUT ASSEMBLY, DISC A& B PK10
3	263064010	S Gxxx PAYOUT ASSEMBLY, DISC C,D,E & F PK10
4	263010006P	S Gxxx DISPENSER ASSEMBLY

## FINE PRINT

### Owner's Responsibility

Upon request, owner must show proof of purchase when submitting equipment for service during the warranty period. Owner will assume all freight charges for shipment of equipment to an authorized service center while under warranty, and to and from the service center when outside the warranty period. Owner is responsible for out-of-warranty repair expenses, chargeable at prevailing rates set by authorized service centers. Complete written information must be supplied to the authorized service center for all items returned, including serial and model number, and a description of the malfunction.

### CPI, Inc. Responsibility

During the warranty period, CPI, Inc. will repair or replace any parts which fail to function properly because of defects in material or workmanship. CPI, Inc. shall not be liable for any consequential damages as a result of defects in material or workmanship.

Damage due to electrical overload, negligence, accidents, misuse, abuse, vandalism, or an act of God is not covered by CPI, Inc. warranty. Any alteration of the product after manufacture voids the warranty in its entirety.

The product to be repaired under warranty must be delivered to an authorized service center. Repairs or installation at the owner's location are not included in the warranty. During the warranty period, CPI, Inc. will assume freight charges for return of the owner's equipment from the closest authorized service center via UPS or common carrier.

### Service

For service information, contact CPI, Inc. or any CPI authorized service center. Parts and labor that are CPI, Inc. responsibility will be provided without charge. Other service is at owner's expense.

For service information, or the name of the authorized service center nearest you, contact:

#### **CPI Customer Service**

1-800-345-8215

#### **CPI Technical Support**

1-800-345-8172 or [cranepi.com/support](http://cranepi.com/support)